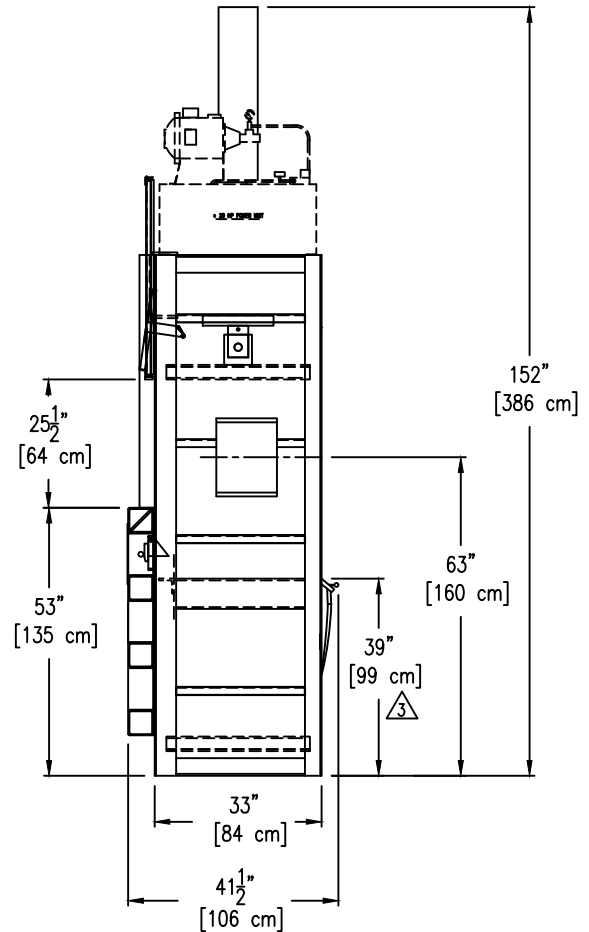
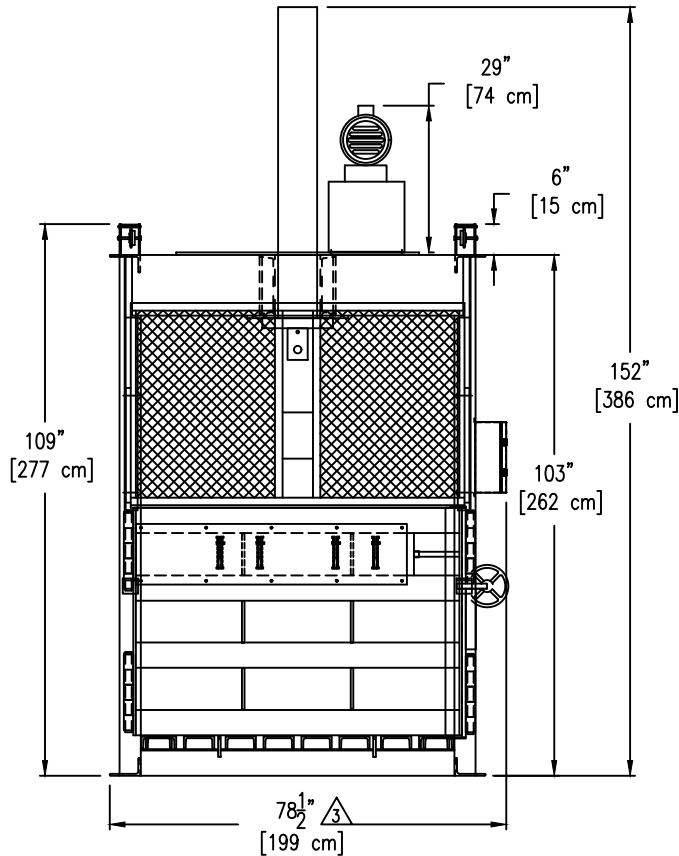


PTR BALER & COMPACTOR



CONTROL BOX
SCALE = 2X

ALL DIMENSION AND SPECIFICATIONS ARE FOR REFERENCE ONLY,
ACTUAL DIMENSIONS AND PERFORMANCE CHARACTERISTICS MAY
VARY.

SPECIFICATIONS

BALE WEIGHT	_____	1,100 - 1,400 LBS OCC [499 - 635 Kg]
BALE SIZE	_____	60" WIDE X 30" DEEP X 48" TALL [152 X 76 X 122 cm]
FEED OPENING	_____	60" X 25 3/8" [152 X 64 cm]
PLATEN FORCE		
WORKING	_____	80,802 LBS [359,425 N]
RELIEF	_____	92,345 LBS [410,771 N]
SYSTEM PRESSURE		
WORKING	_____	2,100 PSI [14,479 KPa]
RELIEF	_____	2,400 PSI [16,547 KPa]
RAM PRESSURE		
NOM	_____	49.8 PSI [343 KPa]
MAX	_____	56.9 PSI [392 KPa]
AVERAGE CYCLE TIME	_____	54 SEC.
CYLINDER BORE	_____	7" [17.8 cm]
CYLINDER STROKE	_____	48" [121.9 cm]
CYLINDER ROD	_____	4" [10 cm]
MOTOR	_____	20 HP (208/230/460V-3 PHASE) [14.9 Kw]
PUMP	_____	15.0 GPM [56.7 L/m]
SHIP WEIGHT	_____	6,515 LBS [2,955 Kg]

DH 8-13-14
BP 6-10-11
SHT 2 OF 2

TITLE: 5000HD BALER SPECIFICATION

DWG. NO: AB404763R4